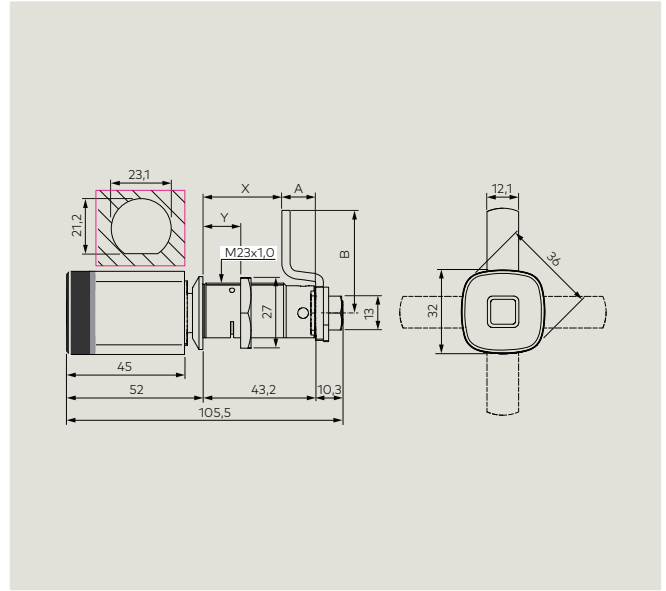


Electronic Cylinders

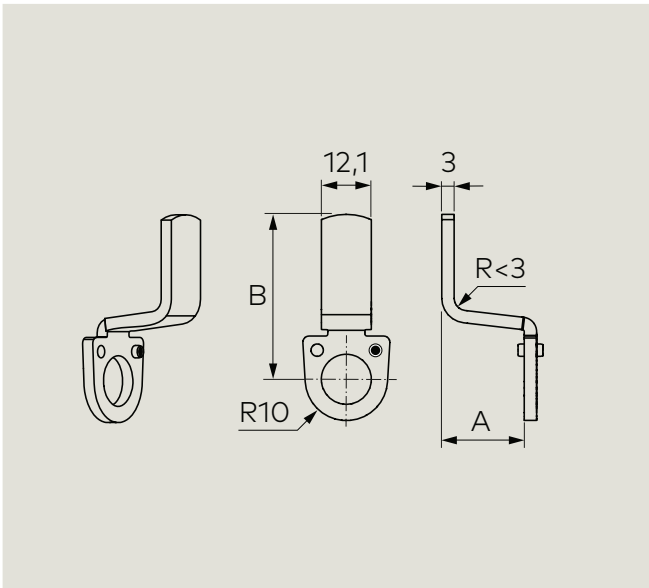
Overview digital cylinder cam lock type



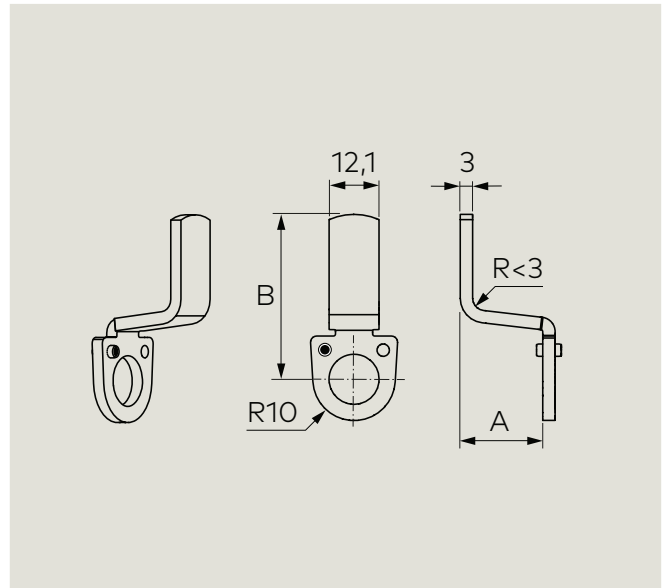
5033-K6



dimensions 5033-K6



cam 1061-xxx (Tabelle 1)



cam 1061-9xxx (Tabelle 2)

Electronic Cylinders

dormakaba digital cylinder cam lock type

Technical Information

Cylinder housing brass, matt chrome-plated
 Plastic antenna cover
 External knob, various surfaces
 without cam
 Standard or e-module for extremely low temperature

Scope of delivery

1 digital cylinder
 1 battery
 1 quick guide

Order example

Art-No/SL/LINE/CO/CA/CM/EM

e. g. 5033-K6/SL2/E300/IN



5033-K6

SAP No.	Description	Art. No.	Rem
12200xxxx	dormakaba digital cylinder cam lock type	5033-K6	
	The cam must be ordered separately (see accessories)Fixing screw 27 mm: Tightening torque max. 5 Nm		

SAP No.	Description	Art. No.	Rem
Option: SL - system level			
.../SL			
236_00010	System level 1 [SL1]		
236_00020	System level 2 [SL2]		
236_00030	System level 3 [SL3]		
236_00040	System level 4 [SL4]		
Option: LINE			
.../LINE			
033_00300	E300 (RFID)		
033_00320	E320 (RFID + Wireless)		
033_00340	E340 (RFID + mobile access)		
033_00360	E360 (RFID + Wireless + mobile access)		
033_00720	O300 (for OSS-SO, Open Security Standard - Standard Offline)		
Option: CO - Surface			
.../CO			

Electronic Cylinders

dormakaba digital cylinder cam lock type

SAP No.	Description	Art. No.	Rem
001_00672	Inox look [IN]		
001_00674	Chrom finish [CR]		
001_00675	Polish Brass [MPVD]		
001_00685	Black [BPVD]		
001_00690	Bronze Look [BZ]		on request
Option: CA - color antenna cap (not stated: BLK - standard black antenna cap)			
.../CA			
018_00173	Black antenna cap [BLK]		
018_00174	White antenna cap [WHT]		
Option: EM - e-module version (not stated: INT - Standard temp. range)			
.../EM			
032_00201	Temp. range standard [INT]		
032_00202	Extreme low temperature [EXT]		

Electronic cylinders

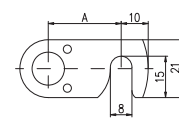
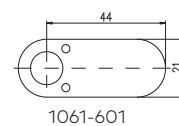
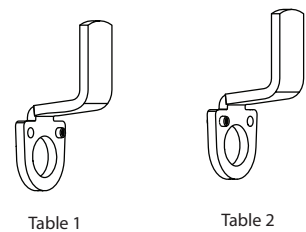
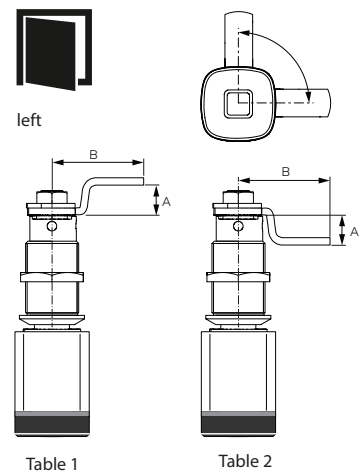
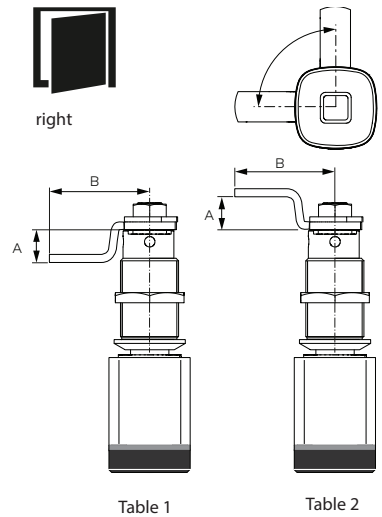
Cams for Digital Cylinder 5033-K6

Table 1:

Cam Number	Dim. in mm	
	A	B
1061-66	0	14
1061-68	0	20
1061-70	0	25
1061-6M	0	30
1061-6ZK	0	40
1061-6M1	0	50
1061-6Q1	1	28
1061-6Q	1	40
1061-6Q2	1	50
1061-6Z1	2	28
1061-6Z	2	40
1061-6Z2	2	50
1061-6S1	3	28
1061-6S	3	39,5
1061-6S4	3	50
1061-6T1	4	28
1061-6T	4	39
1061-6T2	4	50
1061-6U1	5	28
1061-6U	5	38,5
1061-6U3	5	40
1061-6U2	5	50
1061-6E1	6	28
1061-6E	6	38
1061-6E3	6	40
1061-6E2	6	50
1061-6H2	7	28
1061-6H	7	37
1061-6H4	7	40
1061-6H3	7	50
1061-6V1	8	28
1061-6V	8	37
1061-6V3	8	40
1061-6V2	8	50
1061-6W1	10	28
1061-6W	10	35
1061-6W3	10	40
1061-6W2	10	50
1061-6X1	12	28
1061-6X	12	33
1061-6X3	12	40
1061-6X2	12	50
1061-6Y2	14	28
1061-6Y	14	31,5
1061-6Y4	14	40
1061-6Y3	14	50
1061-6A2	16	30
1061-6A1	16	40
1061-6A	16	50
1061-6B2	18	30
1061-6B1	18	40
1061-6B	18	50
1061-6C2	20	30
1061-6C1	20	40
1061-6C	20	50

Table 2:

Cam Number	Dim. in mm	
	A	B
1061-66	0	14
1061-68	0	20
1061-70	0	25
1061-96M	0	30
1061-96ZK	0	40
1061-96M1	0	50
1061-96Q1	1	28
1061-96Q	1	40
1061-96Q2	1	50
1061-96Z1	2	28
1061-96Z	2	40
1061-96Z2	2	50
1061-96S2	3	28
1061-96S	3	39,5
1061-96S4	3	50
1061-96T1	4	28
1061-96T	4	39
1061-96T2	4	50
1061-96U1	5	28
1061-96U	5	38,5
1061-96U3	5	40
1061-96U2	5	50
1061-96E1	6	28
1061-96E	6	38
1061-96E3	6	40
1061-96E2	6	50
1061-96H2	7	28
1061-96H	7	37
1061-96H4	7	40
1061-96H3	7	50
1061-96V1	8	28
1061-96V	8	37
1061-96V3	8	40
1061-96V2	8	50
1061-96W1	10	28
1061-96W	10	35
1061-96W3	10	40
1061-96W2	10	50
1061-96X1	12	28
1061-96X	12	33
1061-96X3	12	40
1061-96X2	12	50
1061-96Y2	14	28
1061-96Y	14	31,5
1061-96Y4	14	40
1061-96Y3	14	50
1061-96A2	16	30
1061-96A1	16	40
1061-96A	16	50
1061-96B2	18	30
1061-96B1	18	40
1061-96B	18	50
1061-96C2	20	30
1061-96C1	20	40
1061-96C	20	50



Cam No.	Dim. A in mm
1061-601A	18
1061-601B	22
1061-601C	27
1061-601D	32

Cams 1061-601 and 1061-601A, B, C, and D can be used left and right.

Electronic Cylinders

Accessories for digital cylinder cam lock type: cams



cam 1061-xxx

SAP No.	Description	Art. No.	Rem
Riegel 1061			
	Cam 1061/ Art.-No. see table	5033-1061/xxxx	

SAP No.	Description	Art. No.	Rem
003_00xxx	cam types E, M, -67, -70, -600		
003_00xxx	cam types B, T, U, V, W, Y, Z, 63, 68, 605		
003_00xxx	cam types A, C, H, -62A, -65, -601		
003_00xxx	cam types S, X		


Electronic Cylinders

Accessories for digital cylinder cam lock type

SAP No.	Description	Art. No.	Rem
Accessories digital cylinder 5033			
1220014301	Cam 1061-601 Minimum order quantity: 20 pcs	1061-601	
1220014293	Hook cam 1061-601A, A= 18 mm Minimum order quantity: 20 pcs	1061-601A	
1220014294	Hook cam 1061-601B, A= 22 mm Minimum order quantity: 20 pcs	1061-601B	
1220014295	Hook cam 1061-601C, A= 27 mm Minimum order quantity: 20 pcs	1061-601C	
1220014296	Hook cam 1061-601D, A= 32 mm Minimum order quantity: 20 pcs	1061-601D	
1205107933	Screw-on rosette, nickel plated for digital cylinder 5033	1031-29	
1205014667	Spacer Sleeve 2,5 mm, nickel plated	1031-21	
1205014618	Spacer Sleeve 5,0 mm, nickel plated	1031-17	
1205014626	Spacer Sleeve 10 mm, nickel plated	1031-18	
1205014709	Spacer Sleeve 12 mm, nickel plated	1031-25	
1205014634	Spacer Sleeve 14 mm, nickel plated	1031-19	
1205053186	Spacer Sleeve 15,5 mm, nickel plated	1031-26	
1205014659	Lock washer, zinc-coated steel for wood or plastic doors	1031-20	
1205014683	Lock washer, bare steel For welding to the surface	1031-23	
1205106885	Lock washer, nickel-plated steel Prevents turning on sheet metal surfaces	1031-23A	

Electronic Cylinders

Accessories for digital cylinder cam lock type

SAP No.	Description	Art. No.	Rem
1205107982	Lock washer, nickel-plated steel Prevents turning glass surfaces	1031-23B	
1205106893	Lock washer, nickel-plated steel With guide for drilling	1031-24A	
1205107941	threaded sleeve 12 mm, nickel plated	1031-16A	
1205053178	threaded sleeve 20 mm, nickel plated	1031-16	